

FLASH CURE UNITS

REDFLASH + AUTOFLASH



RedFlash

18" (46 cm) 120V sq. RedFlash **\$699***
 or
 18" x 24" (46 x 61 cm) RedFlash **\$849***

RedFlash - heat control, standard stand, locking casters, & 10 year heater warranty



Rotary Table

18" 120v Redflash
 +
 Vastex Rotary Table
 = **\$949***

The Vastex Rotary Table is an add-on enabling you to use your Flash as a dual curing station, or as a flash with a single curing station.



Auto Flash

RedFlash w/Upgrades

RedFlash 18" (46 cm) sq., 240V HO Heater, 120V AutoFlash & SHD Stand Upgrades

\$1,884*

RedFlash Options

- 18" (46 cm) sq. or 18" x 24" (46 x 61 cm) heater
- 120 or 240 Volt
- High output 18" (46 cm) sq. heater
- International Cordsets
- Super Heavy Duty stand + **\$150**
- AutoFlash Upgrade + **\$985**
- Vastex Rotary Table + **\$250**

REDFLASH

- | | |
|---------------|---|
| RELIABLE | 10 Year Heater Warranty |
| POWERFUL | 2000, 2600 or H.O. 3500 Watt IR heater |
| USER FRIENDLY | Diagnostic pilot lights & heat control |
| CONVENIENT | Heavy duty side handles & locking casters |
| EFFICIENT | Vented heat shield |
| FASTEST | HO heater flashes plastisol in as little as 4s |
| UNIQUE | Head leveler to adjust the heater parallel to the press pallet |
| THIN PROFILE | Ultra slim 2.75" (7 cm) height head easily fits between screen & pallet |

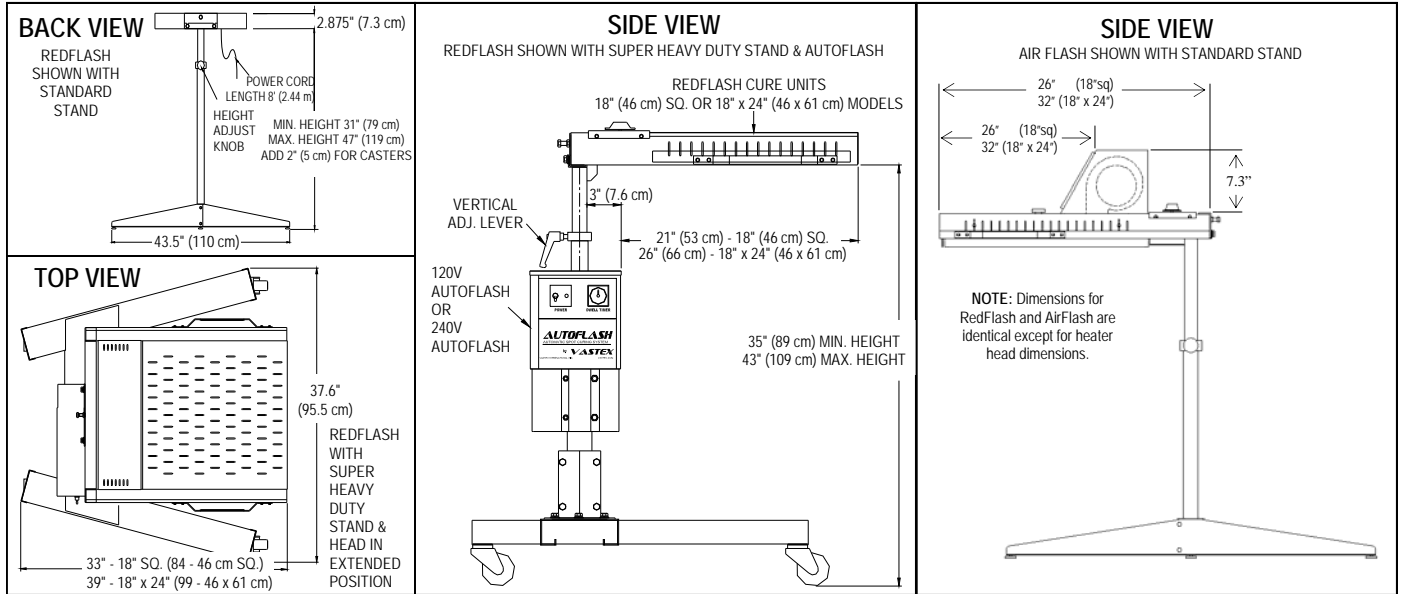
AUTOFLASH upgrade

- | | |
|---------------|---|
| POWERFUL | DC gear motor provides automatic head swinging |
| CONSISTENT | 0 - 30 second timer provides consistent even curing every time |
| VERSATILE | Head rotates 95 degrees |
| USER FRIENDLY | Power switch with indicator light |
| CONVENIENT | Foot pedal control with 7' (2.13 m) cord |
| COMPATIBLE | Works with 120 or 240 Volt models 18" x 18" or 18" x 24" (46 x 46 cm or 46 x 61 cm). Buy as a complete unit or upgrade to automate existing system (can fit other brand flashes/spot heaters) |

*Starting List Price (USD). Price does NOT include crating and shipping charges. 6% sales tax will be added for PA billing addresses. Prices subject to change without notice.



Vastex Flash Cure Units Technical Specifications



CE TUV-ISO 9001-2000 Compliant	REDFLASH		AIR-FLASH	
	Models	R-18-120 / R-18-240	R-1824-240	RA-18 (120V) / RA-18-HO (240V)
Heater Warranty	10 Year	10 Year	10 Year	10 Year
Bumper to Bumper Warranty	3 Year	3 Year	3 Year	3 Year
Overall Width	45" (115 cm)	51" (130 cm)	45" (115 cm)	51" (130 cm)
Overall Height [Std. Stand casters + 2" (5 cm)]	31"- 47" (79 - 119 cm)	31"- 47" (79 - 119 cm)	38"- 54" (96- 137 cm)	38"- 54" (96- 137 cm)
Overall Height (Super Heavy Duty Stand)	35"- 43" (89 - 109 cm)	35"- 43" (89 - 109 cm)	42"- 50" (107- 127 cm)	42"- 50" (107- 127 cm)
Heater Size	18" x 18" (46 x 46 cm)	18" x 24" (46 x 61 cm)	18" x 18" (46 x 46 cm)	18" x 24" (46 x 61 cm)
Unit Warm Up Time	12 min. (120V) or 6 min. (240V)	12 min.	12-18 min (120V) or 6-10 min (240V)	6-10 min
Heater Wattage	2000, 2600 or 3500 Watt Heater	3500 Watt Heater	2000 Watt Heater (120V) or 3500 Watt Heater (240V)	4300 Watt Heater
Electrical Specs* / req. plug (Some models require a dedicated line. 50/60 HZ for all units.)	120V/16.5A/2000W/NEMA 5-20P 240V/9A/2600W/NEMA 6-15P 240V/16A/3500W/NEMA 6-20P	240V/16A/3500W/ NEMA 6-20P Plug	120V/16.5A/2000W/NEMA 5-20P or 240V/16A/2500W/NEMA 6-10P	240V/19A/4300W/ NEMA L6-30P
Electrical Specs - AutoFlash / req. plug (Requires dedicated line. 50/60 HZ for all units.)	110-125V/1A/NEMA 5-15P 220-240V/1A/NEMA 6-15P	110-125V/1A/NEMA 5-15P 220-240V/1A/NEMA 6-15P	110-125V/1A/NEMA 5-15P 220-240V/1A/NEMA 6-15P	110-125V/1A/NEMA 5-15P 220-240V/1A/NEMA 6-15P
Shipping Weight-Head**	35 lbs (16 kg)	43 lbs (19.5 kg)	64 lbs	74 lbs
Shipping Dimensions - Head**	26" x 29" x 5" (66 x 74 x 13 cm)	26" x 35" x 6" (66 x 90 x 15 cm)	29" x 26" x 15" (74 x 66 x 38 cm)	35" x 29" x 15" (89 x 74 x 38 cm)
Shipping Weight - Legs** (std. stand)	22 lbs - (10 kg)			
Shipping Dims - Legs**(std. stand)	37" x 7" x 3" - (94 x 18 x 8 cm)			
Shipping Weight - Legs** (SHHD stand for manual flash) in 2 packages	38 lbs - (17 kg) pkg# 1 10 lbs - (4.5 kg) pkg# 2			
Shipping Dims - Legs** (SHHD stand for manual flash) 2 packages	29" x 32" x 4" - (74 x 81 x 10 cm) 32" x 9" x 4" - (81 x 23 x 10 cm)			
Shipping Weight - AutoFlash kit**	51 lbs - (25 kg)			
Shipping Dims - Auto Flash kit**	31" x 22" x 14" - (79 x 56 x 36 cm)			
Shipping Weight - AutoFlash** (SH-LEGS-AF stand)	15 lbs - (7 kg)			
Shipping Dims-AutoFlash** (SH-LEGS-AF stand)	37" x 7" x 3" - (94 x 18 x 8 cm)			
Shipping Weight - AutoFlash** (SHHD stand)	39 lbs - (18 kg)			
Shipping Dims - AutoFlash** (SHHD stand)	39" x 32" x 4" - (99 x 81 x 10 cm)			

1 in = 2.54 cm
1 lb = 0.454 kg

*If extension cord is required, recommend using minimum 10 gauge wire with maximum 12' (3.6 m) length. For longer lengths, consult electrician.
**All shipping weights and dimensions are for continental US shipping only. Call for other shipping specifications.

