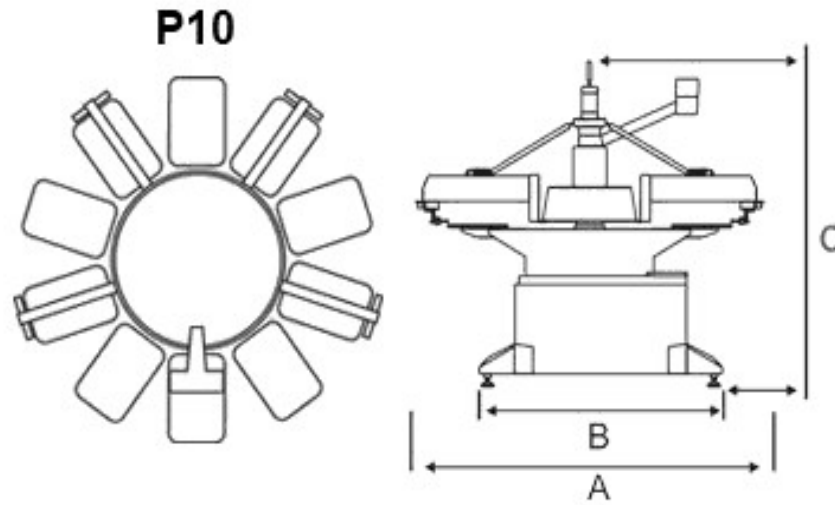




Advanced Screen
Technologies, Inc.

ROQprint NANO Specifications/Configuration



ROQPRINT NANO	P10
Number of Colors (max.)	4
Number of Pallets	10
Number of Flash Cure connection units (optional)	4
Maximum Print Size (mm/inch)	200 x 200 / 7.9" x 7.9"
Minimum Width of the base (mm/feet)	800 / 2.6'

sales@advancedscreen.com

Tempe, AZ 480-858-9804

Toll Free 877-509-7600